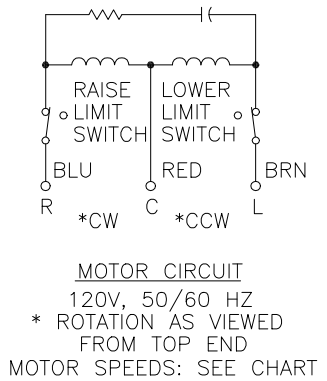
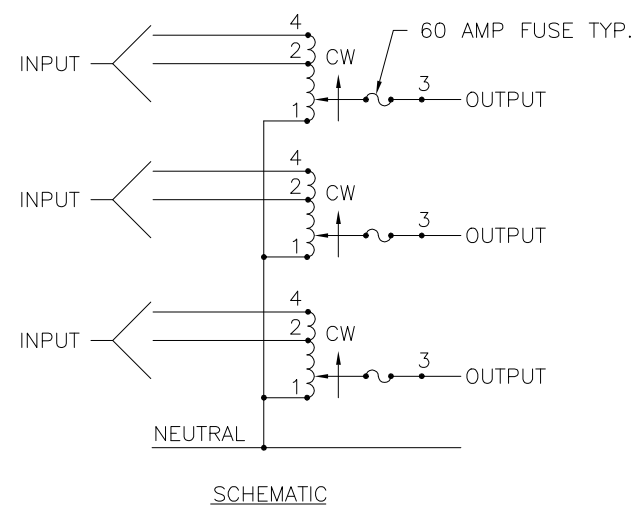
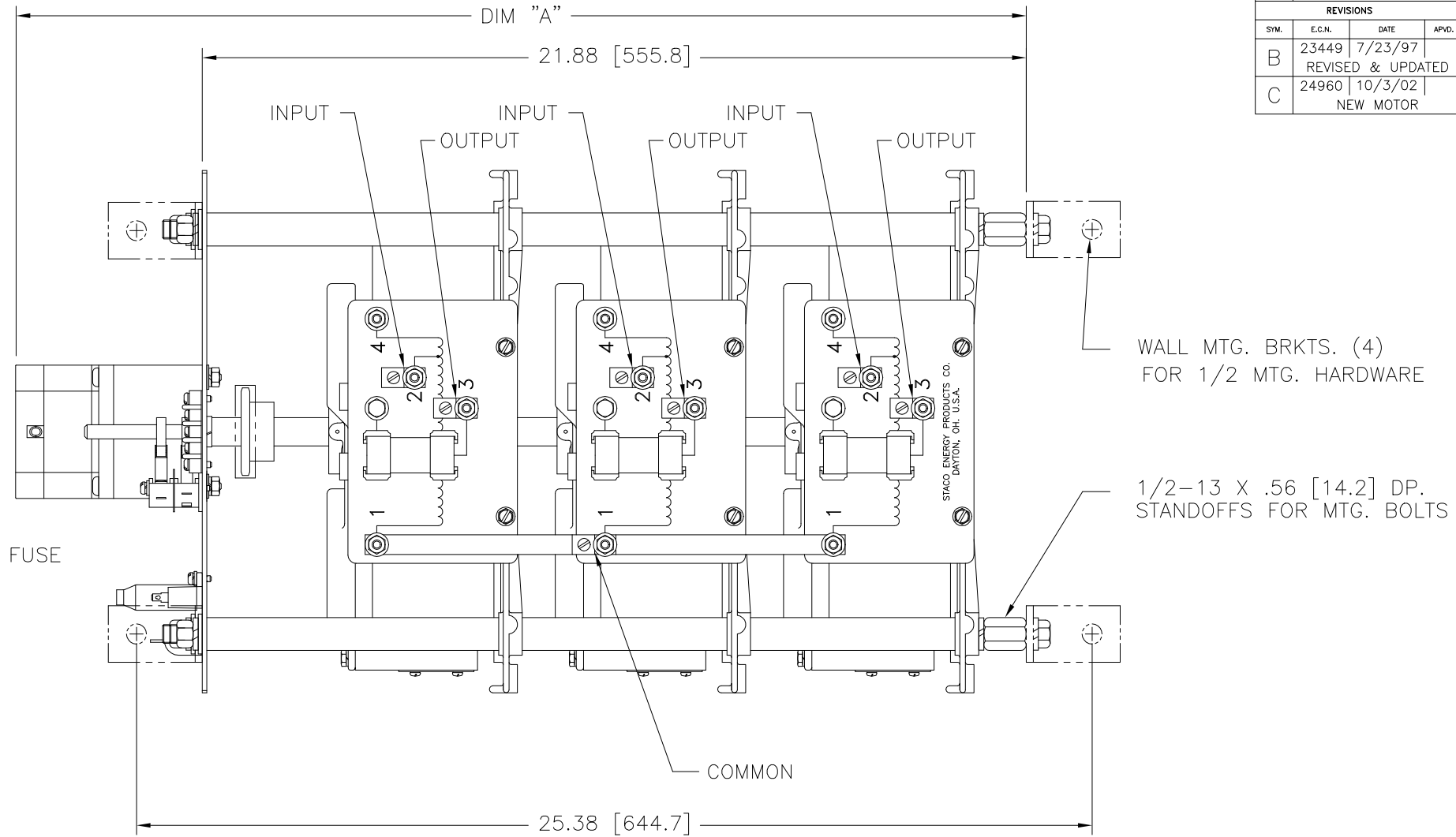
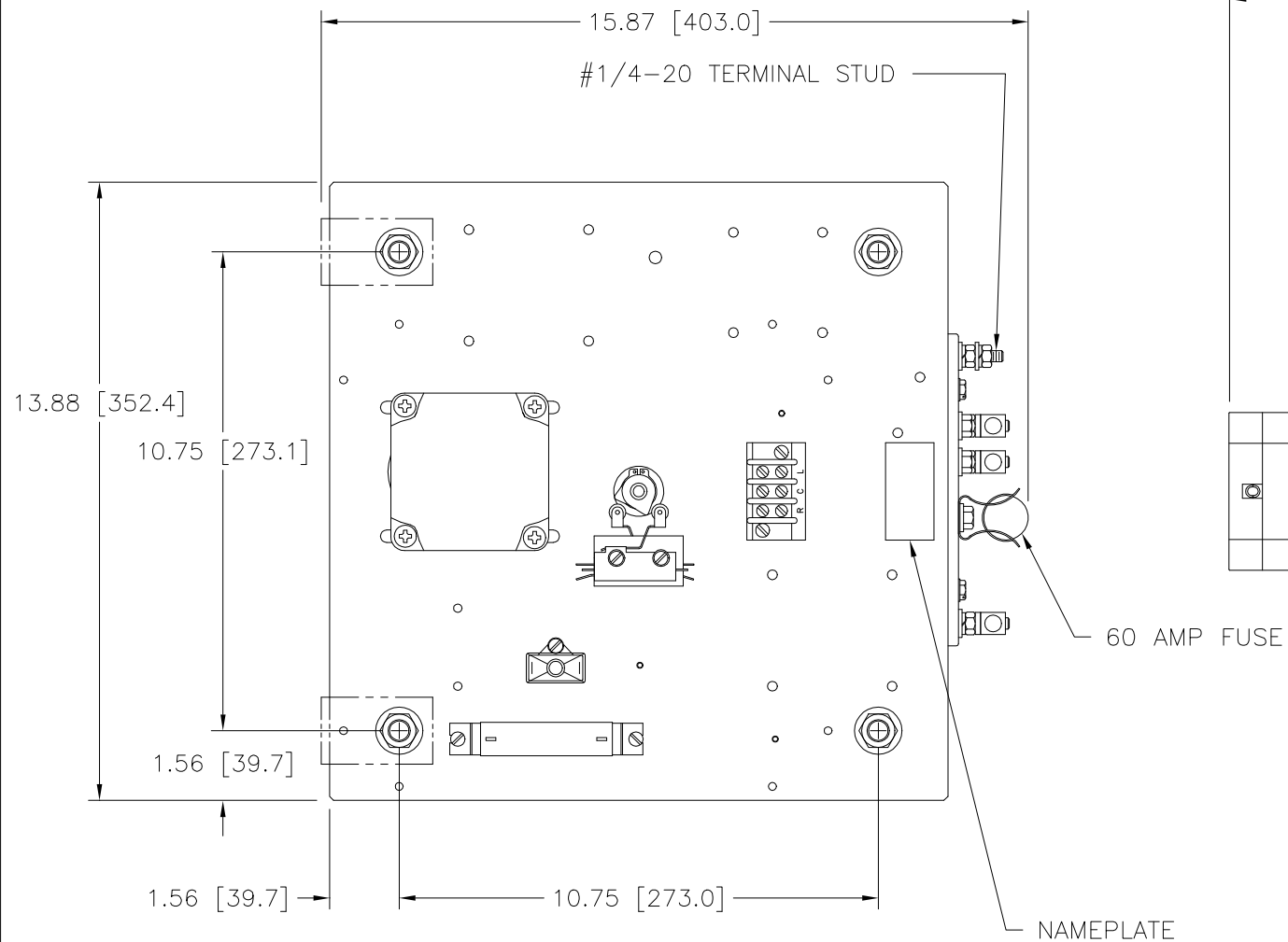


DWG. NO.	032-6864		
REVISIONS			
SYM.	E.C.N.	DATE	APVD.
B	23449	7/23/97	
REVISED & UPDATED			
C	24960	10/3/02	
NEW MOTOR			



MODEL NUMBER	SPEED (SECONDS)	DIM "A"
5M6011-3Y	5	25.56 [649.2]
15M6011-3Y	15	26.83 [681.4]
30M6011-3Y	30	26.83 [681.4]
60M6011-3Y	60	26.83 [681.4]

WIRING	INPUT		OUTPUT		SHAFT ROTATION FOR VOLTAGE INCREASE	TERMINAL CONNECTIONS FOR INCREASING VOLTAGE AS VIEWED FROM TOP		
	VOLTS	HERTZ	VOLTS	CONSTANT CURRENT LOAD		INPUT	OUTPUT	
				MAX. AMPS				MAX. KVA
THREE PHASE WYE	240	60	0-240	60	24.9	CW	4-4-4	3-3-3
			0-280	60	29.1		2-2-2	3-3-3

UNLESS OTHERWISE SPECIFIED, TOLERANCE IS ±

DECIMALS	HOLES	ANGLES	DRAFT	UNITS
.XX	.0012	1°	1-1/2°	IN [mm]

MATERIAL: ALL DIMENSIONS APPLY AFTER PLATING

TITLE: SPEC. CONTROL DRAWING
MOTORIZED VARIABLE XFMR.
TYPE: M6011-3Y

STACO ENERGY PRODUCTS CO.
A Components Corporation of America Company
302 South Boulevard Dayton, Ohio 45403 USA

DRAWN BY	DATE	FIRST USED ON	DO NOT SCALE DWG.
TIM RAU	7/23/97		
CHECKER	DATE	WEIGHT APPROX.	CAGE CODE
		263 LBS.	83008
ENGINEER	DATE	SCALE	SHEET 1 OF 1
		.5=1	

DWG. NO. 032-6864